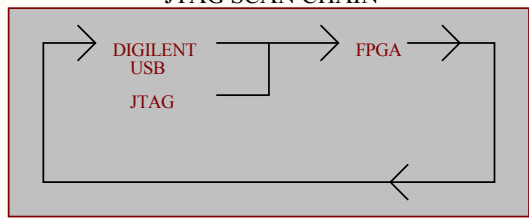
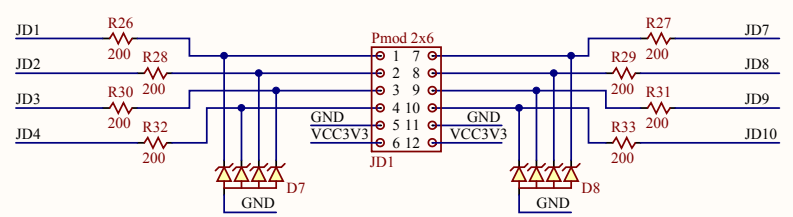
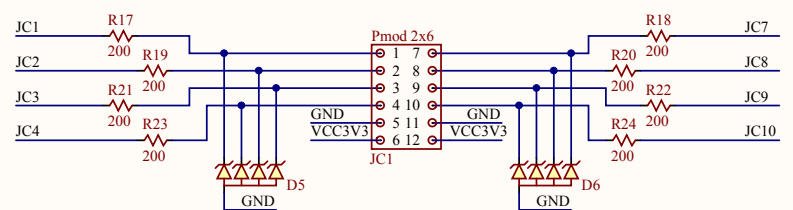
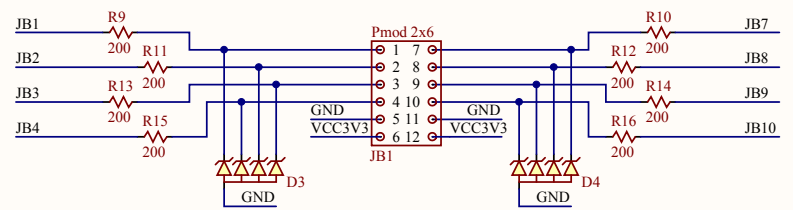
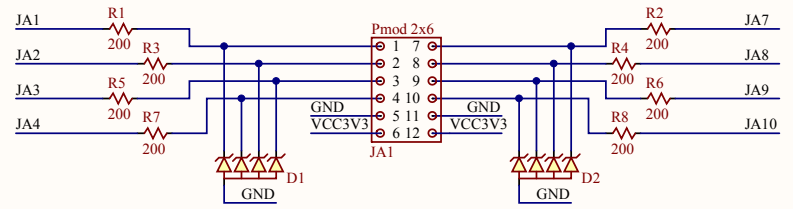


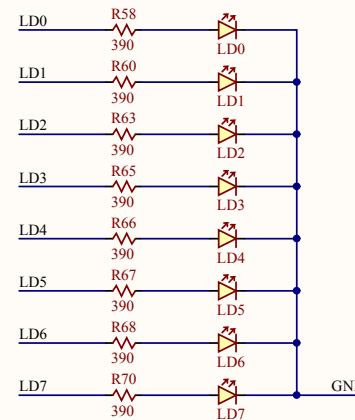
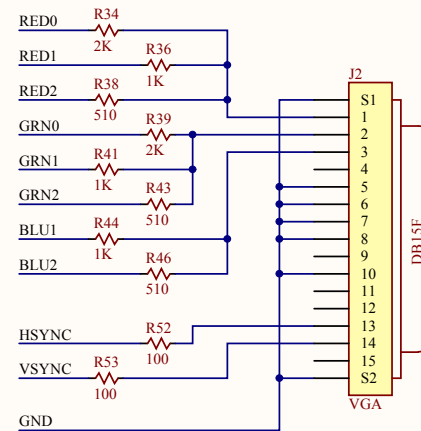
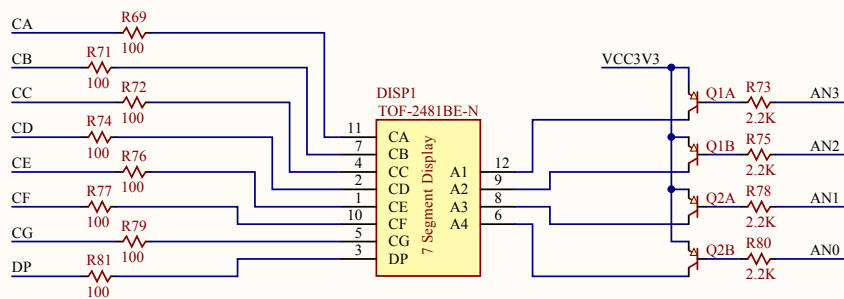
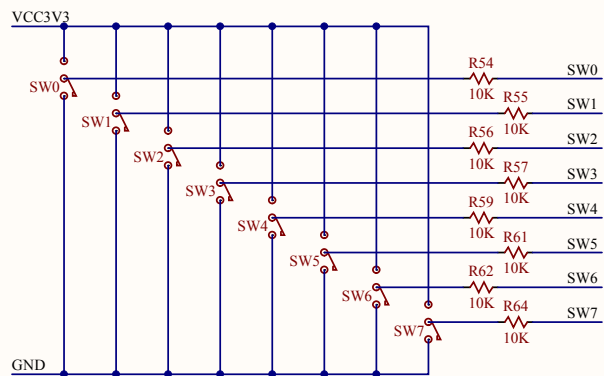
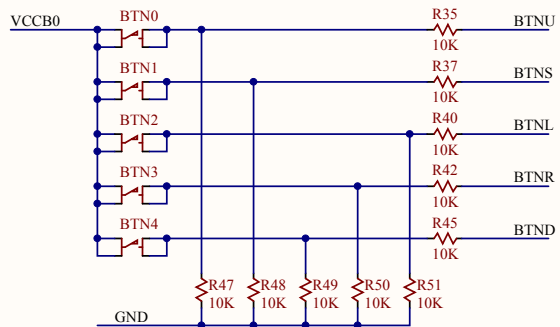
JTAG SCAN CHAIN



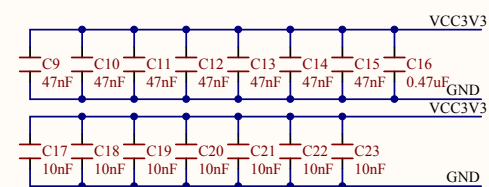
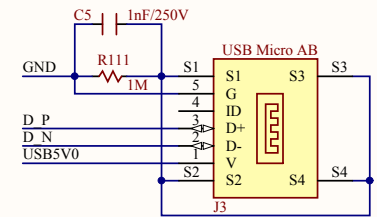
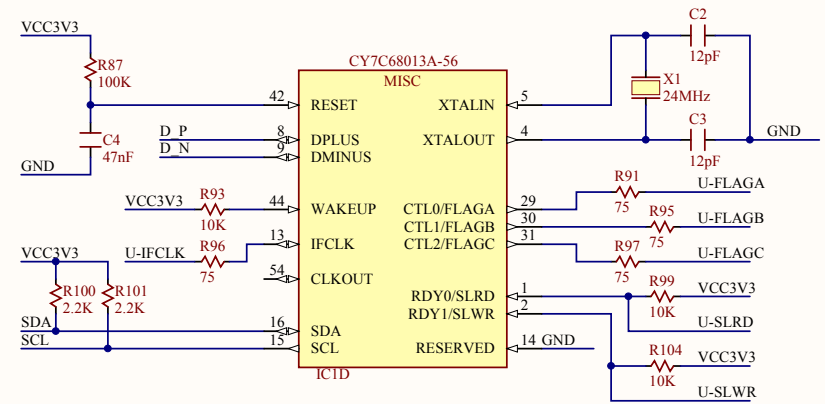
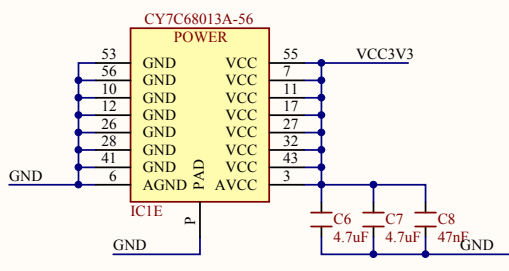
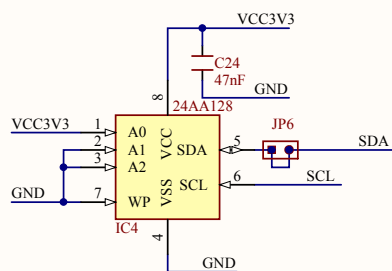
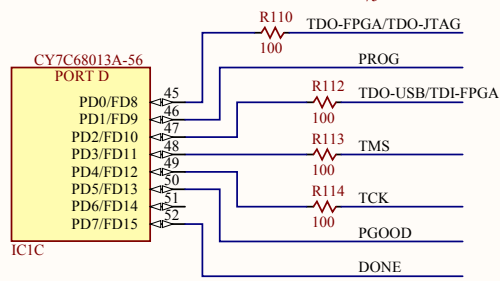
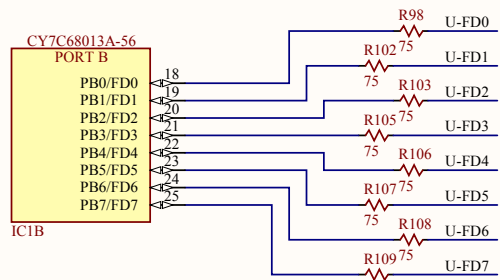
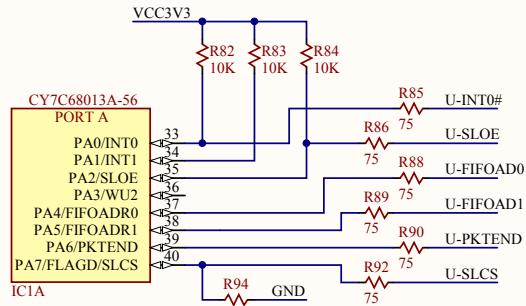
- Foot F1
- Foot F2
- Foot F3
- Foot F4



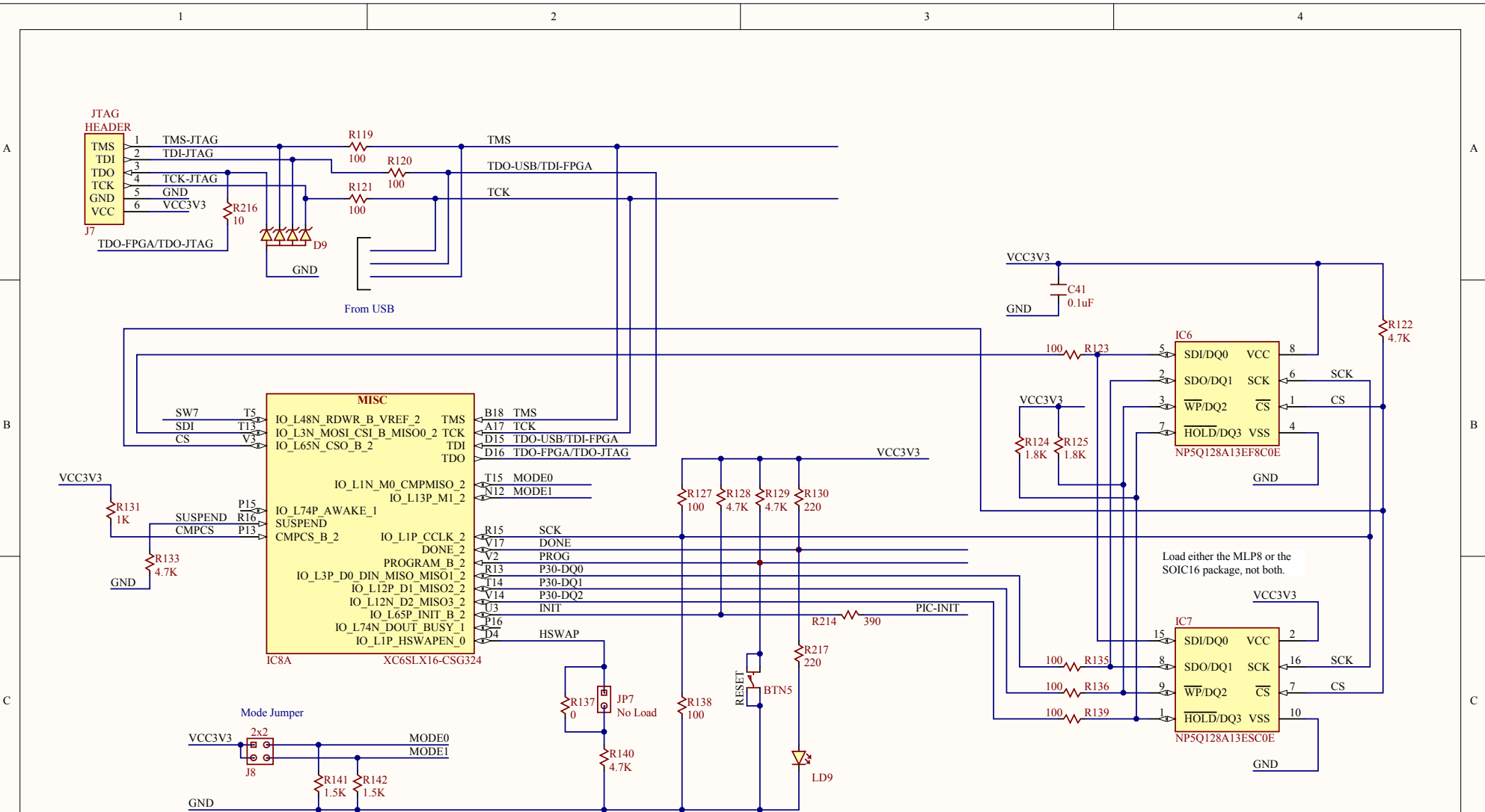
Title Nexys III		Rev B.0
Circuit Expansion Header and IO		Copyright 2011
Doc#	500-182	
Engineer	CC	
Author	GMA	
Date	2/17/2011	
Sheet#	1 out of 10	



Title		Rev	
Nexys III		B.0	
		Copyright 2011	
Circuit	General IO		
Doc#	500-182		
Engineer	CC		
Author	GMA		
Date	2/17/2011		
Sheet#	2 out of 10		



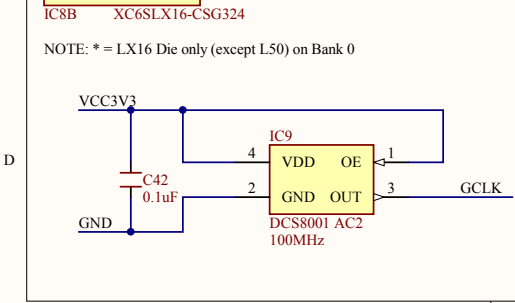
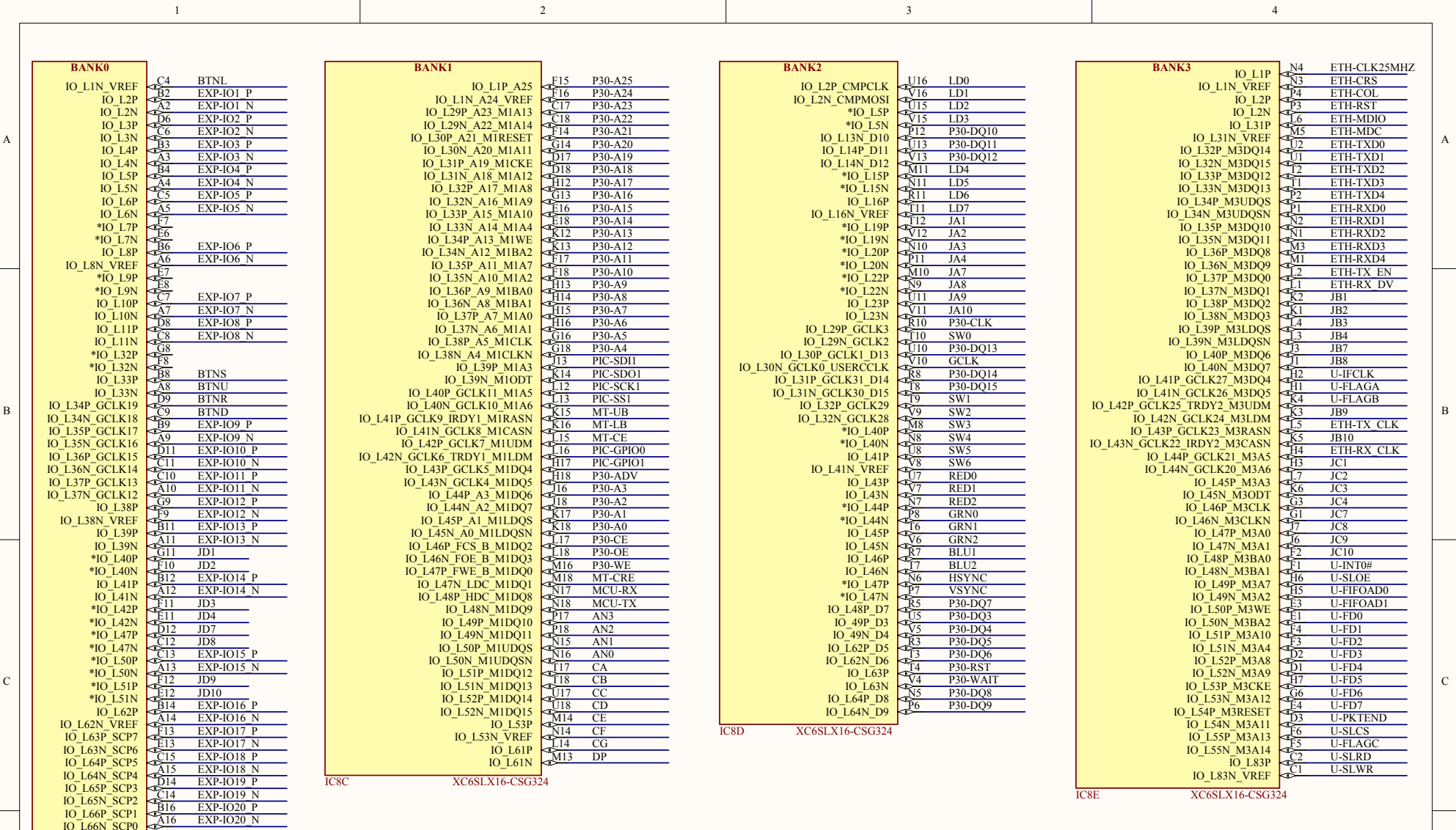
Title Nexys III		Rev B.0 Copyright 2011
Circuit USB Controller		
Doc# 500-182		
Engineer CC		
Author GMA		
Date 2/17/2011		
Sheet# 3 out of 10		



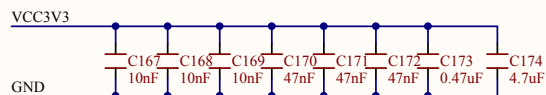
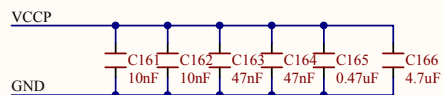
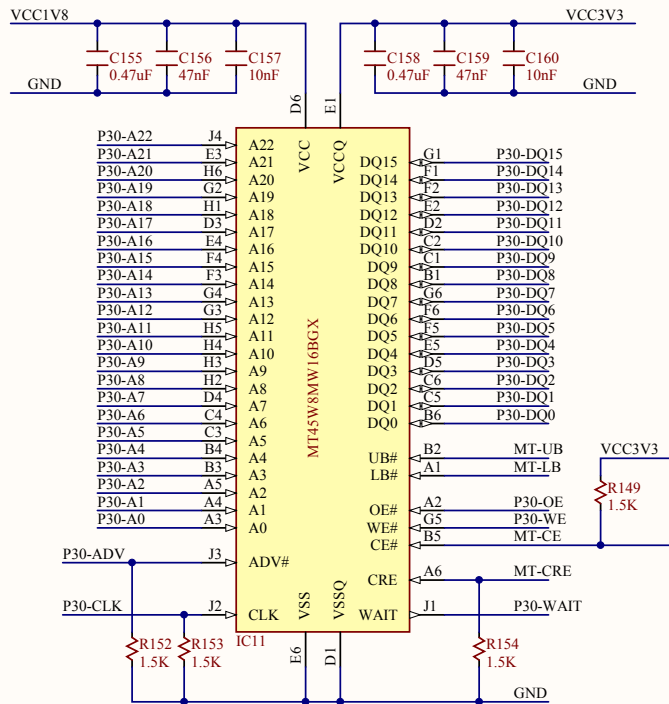
Load either the MLP8 or the SOIC16 package, not both.

M1	M0	Configuration Mode
0	0	BPI
0	1	SPI - On Board SPI Flash
1	0	-----
1	1	Slave Serial - USB Memory

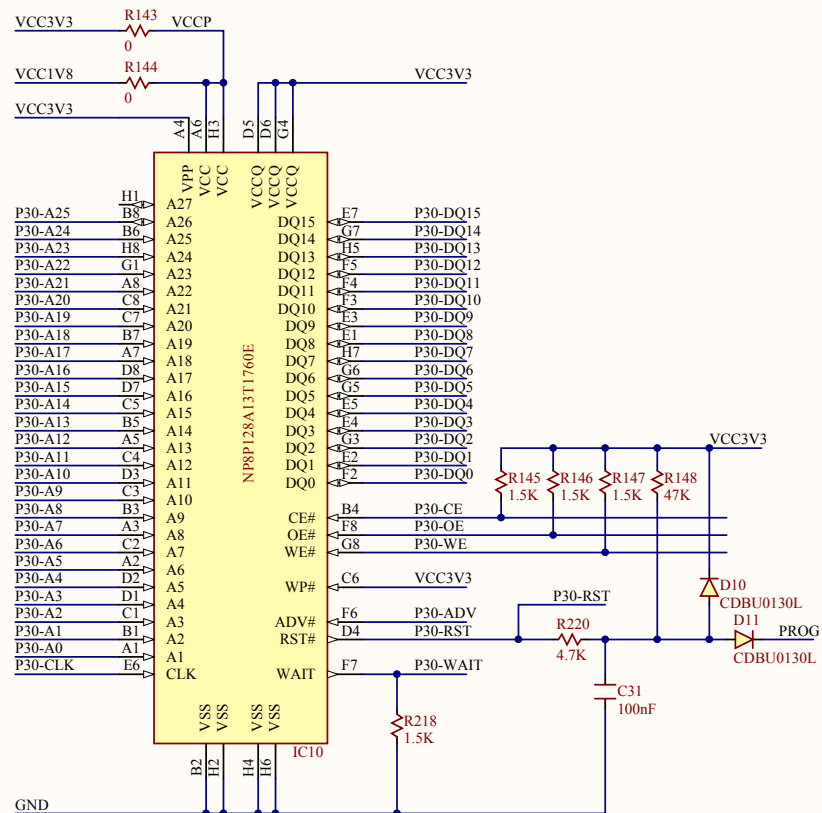
Title		<h1>Nexys III</h1>	Rev	B.0 Copyright 2011
Circuit			Configuration	
Doc#		500-182		
Engineer		CC		
Author		GMA		
Date		2/17/2011		
Sheet#		5 out of 10		




Title Nexys III		Rev B.0 Copyright 2011
Circuit	SPARTAN 6	
Doc#	500-182	
Engineer	CC	
Author	GMA	
Date	2/17/2011	
Sheet#	6 out of 10	



Note: Load resistor to 3.3V and remove resistor to 1.8V for P33

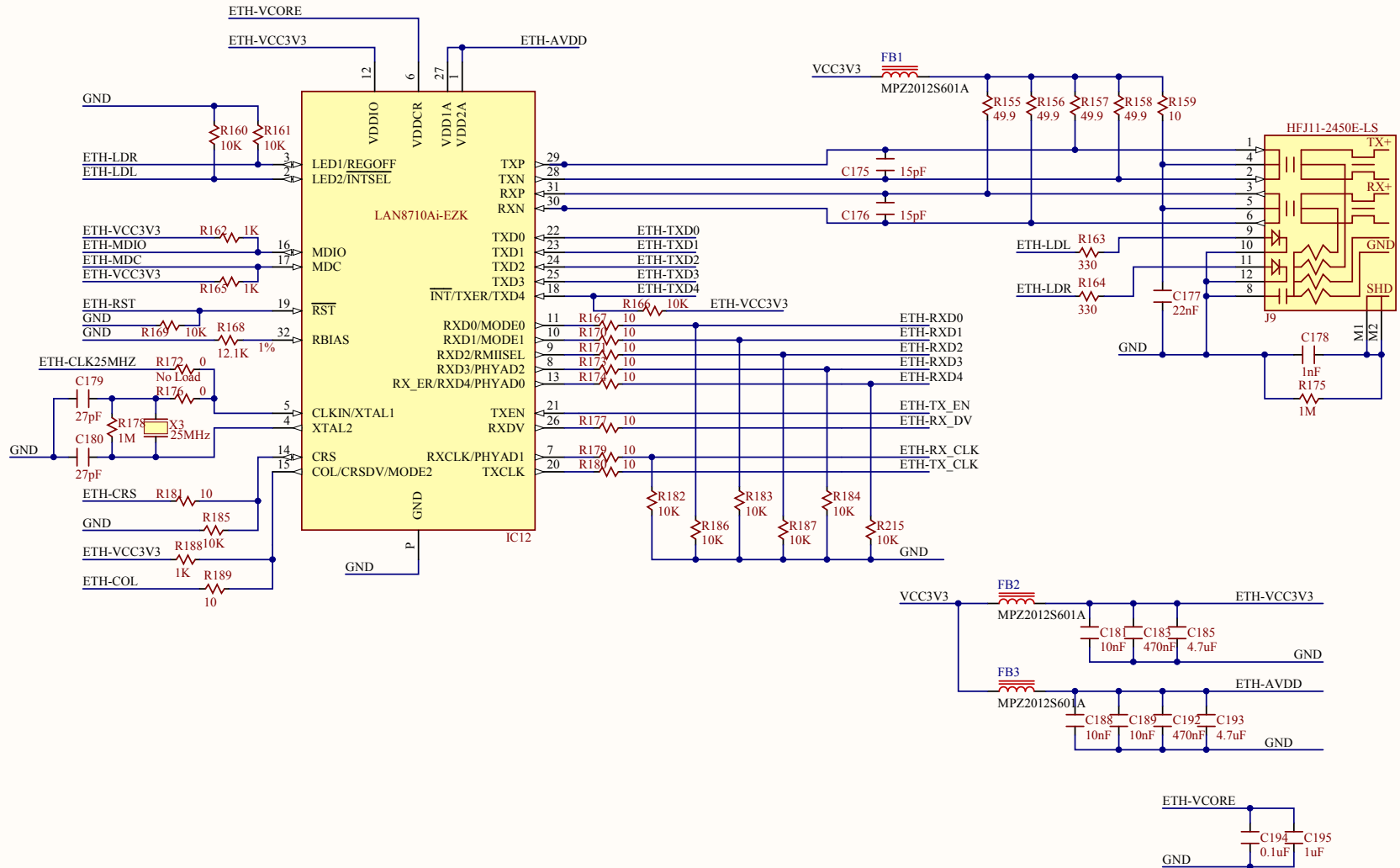


Title		Rev	
<h1>Nexys III</h1>		<h1>B.0</h1>	
		Copyright 2011	
Circuit	Memory		
Doc#	500-182		
Engineer	CC		
Author	GMA		
Date	2/17/2011		
Sheet#	8 out of 10		

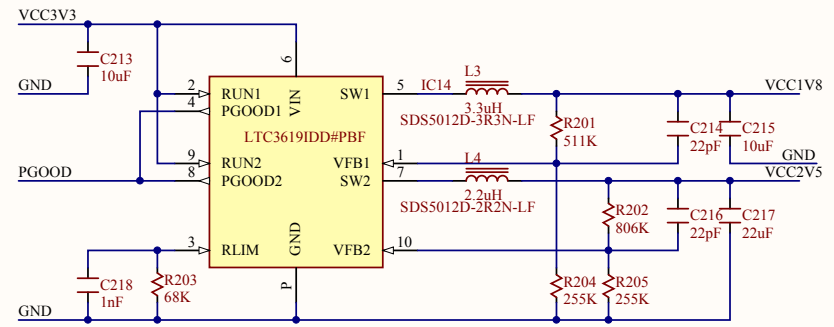
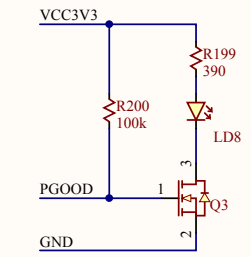
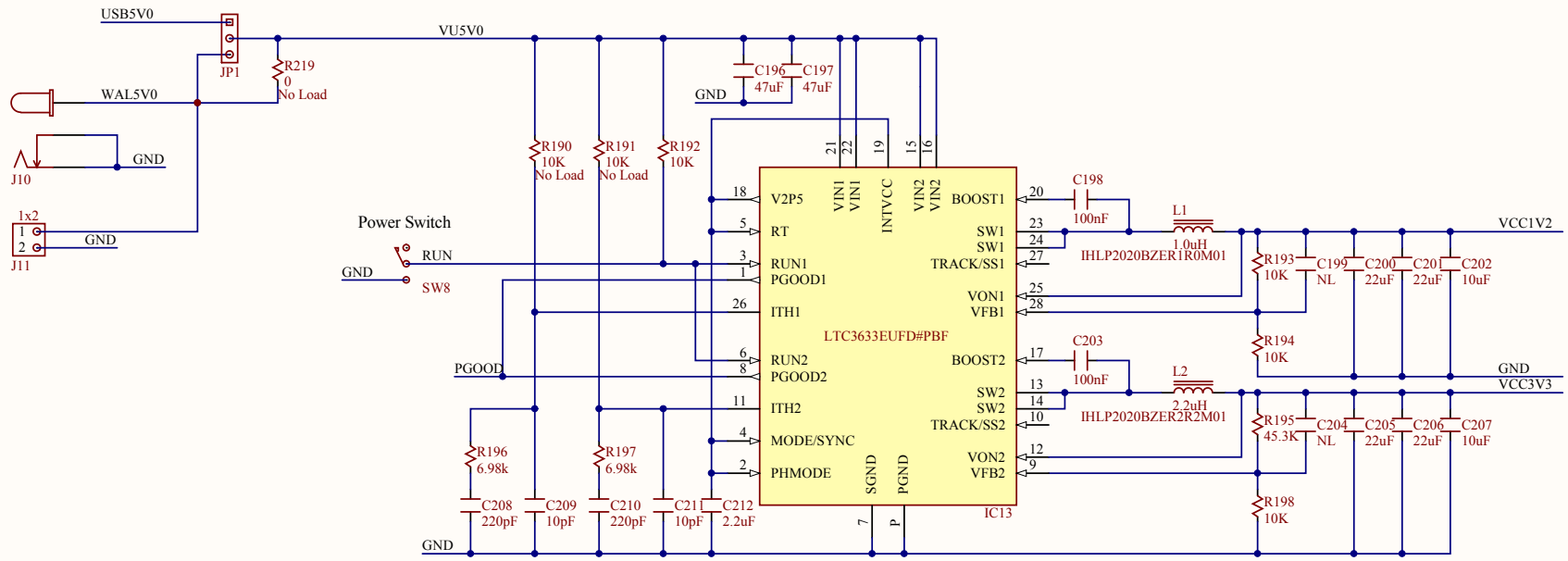


DIGILENT
BEYOND THEORY

ETHERNET



<h2 style="margin: 0;">Nexys III</h2>		Rev <h2 style="margin: 0;">B.0</h2> Copyright 2011
Title Ethernet		
Circuit#		
Doc#		
Author		
Date		
Sheet#	9 out of 10	



Title		Nexys III		Rev		B.0	
Circuit		Power		Copyright		2011	
Doc#		500-182					
Engineer		CC					
Author		GMA					
Date		2/17/2011					
Sheet#		10 out of 10					