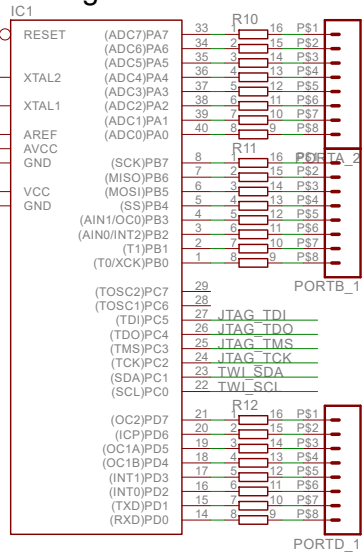
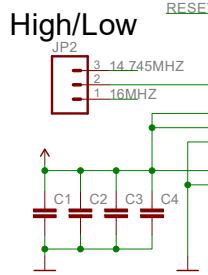


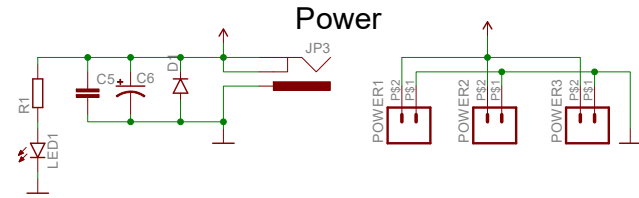
# Atmega 16A



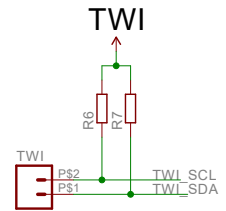
## High/Low



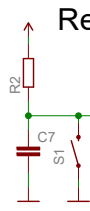
## Power



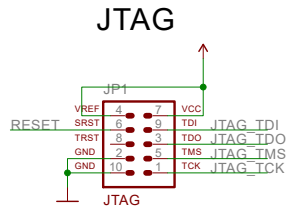
## TWI



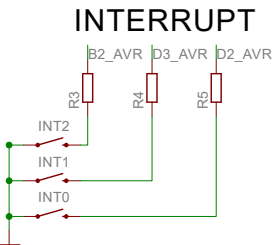
## Reset



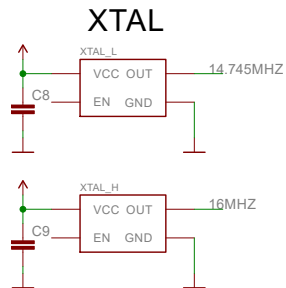
## JTAG



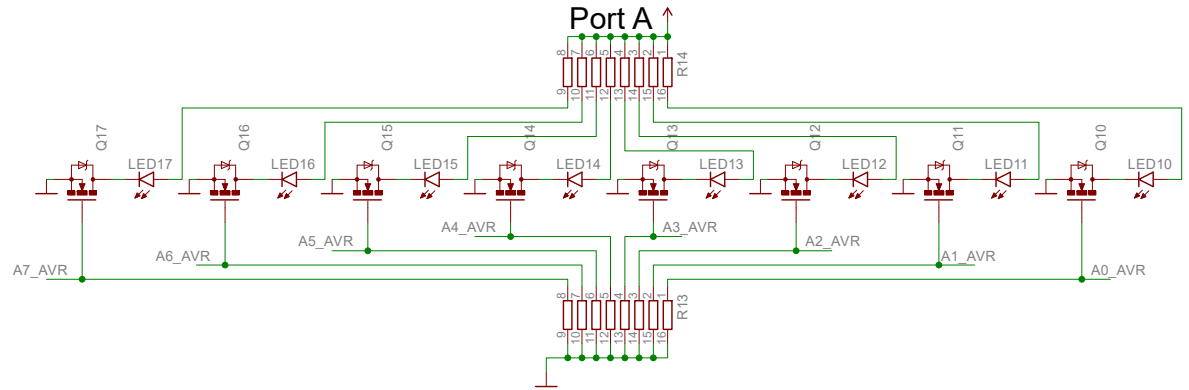
## INTERRUPT



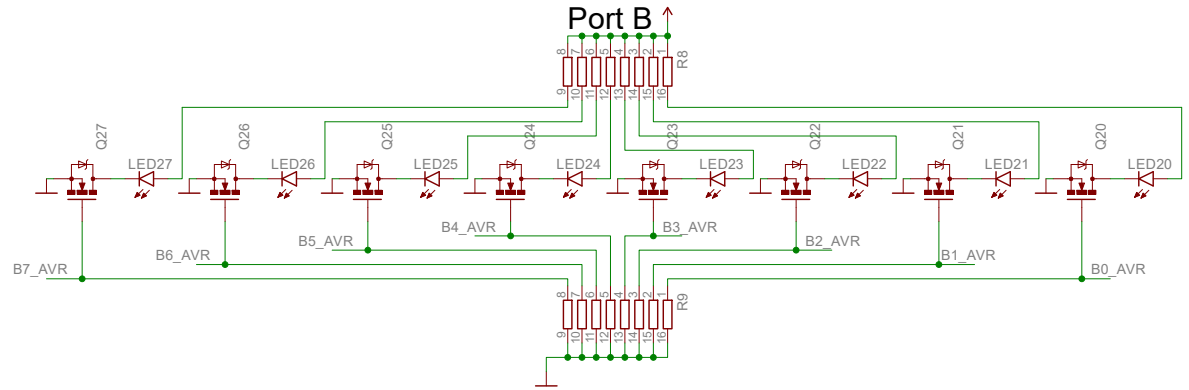
## XTAL



## Port A



## Port B



## Port D

