

Gate delay vs. supply voltage

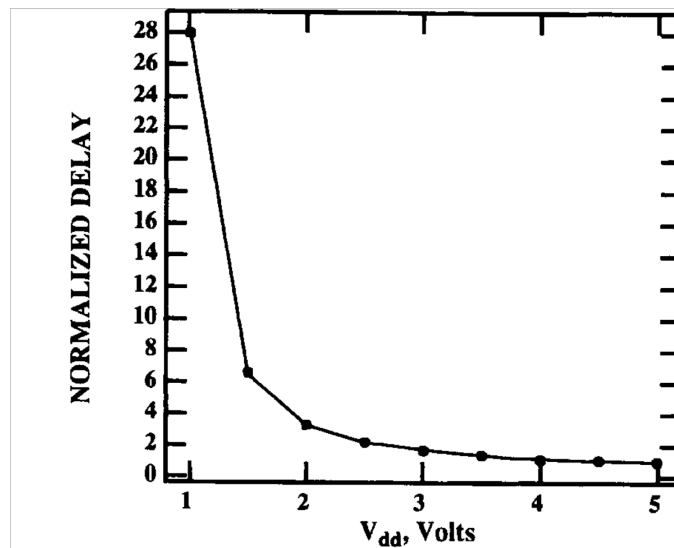
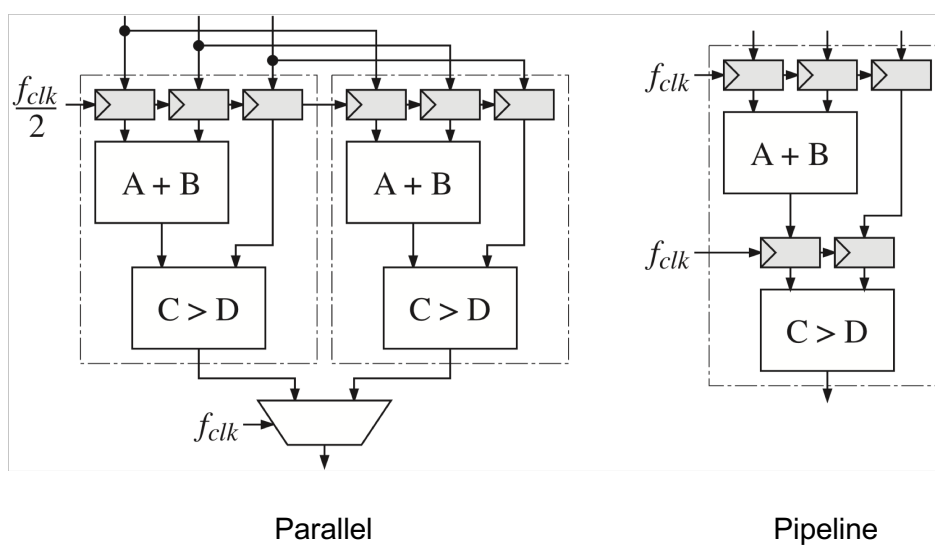


Fig. 7. Normalized delay versus V_{dd} for a typical gate in a standard CMOS process.

Supply voltage scaling



Example on supply voltage scaling

- Double throughput $\Rightarrow V'_{DD} \approx 0.58 V_{DD}$
- Increased capacitance $\Rightarrow C_{par} \approx 2.15 C$
 $C_{pipe} \approx 1.15 C$

Architecture	V'_{DD} [V]	Norm. area	Norm. power
Original	5	1	1
Parallel	2.9	3.4	0.36
Pipeline	2.9	1.3	0.39
Pipeline-parallel	2	3.7	0.2

Reference

03.pdf Minimizing power consumption in digital CMOS circuits

A.P. Chandrakasan and R.W. Brodersen

Proceedings of the IEEE, volume 83, issue 4, April 1995,
pages 498-523