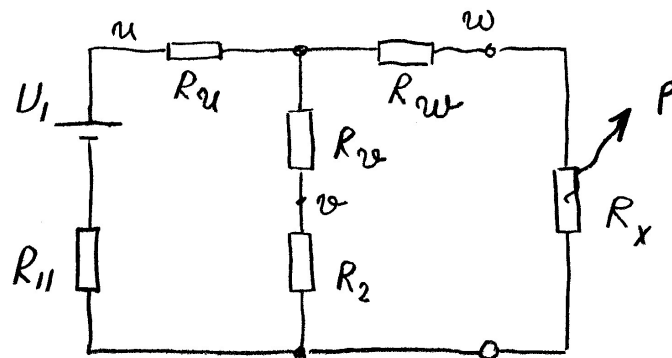


D/Y-TRANSFORMATION  $\Rightarrow$



$$R_u = \frac{R_{12} R_3}{R_3 + R_{12} + R_{13}} ; R_v = \frac{R_{12} R_{13}}{R_3 + R_{12} + R_{13}} ; R_w = \frac{R_3 R_{13}}{R_3 + R_{12} + R_{13}}$$

$$\Rightarrow R_u = 6,43 \Omega ; R_v = 1,79 \Omega, R_w = 6,43 \Omega$$

$$P = P_{MAX} \text{ OM } R_x = R_i$$

$$\text{NOLLSTÄLL } U_1 \Rightarrow R_i = R_w + \frac{(R_u + R_{11}) \cdot (R_v + R_2)}{(R_u + R_{11}) + (R_v + R_2)}$$

$$\Rightarrow R_i = 18,2 \Omega$$

ALLTSÅ: VÄLJ  $R_x = 18,2 \Omega$  FÖR  $P = P_{MAX}$ .