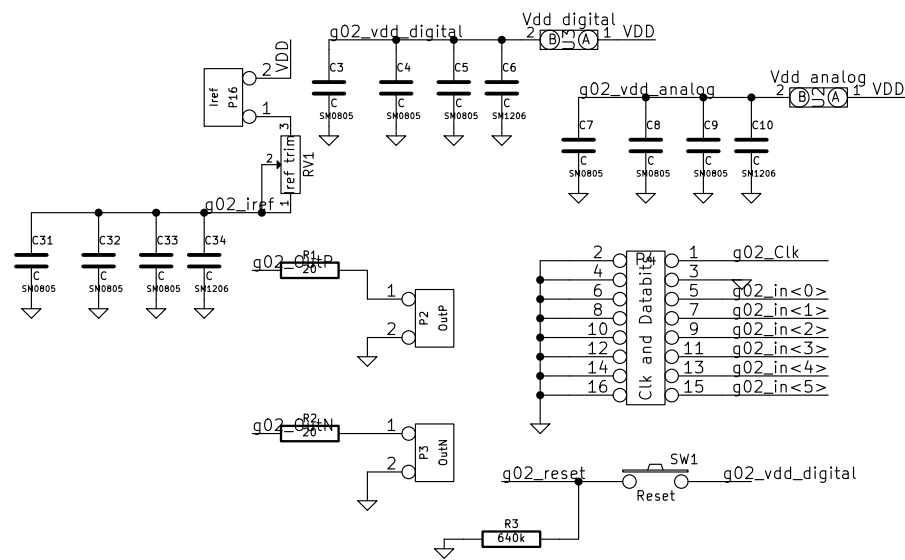
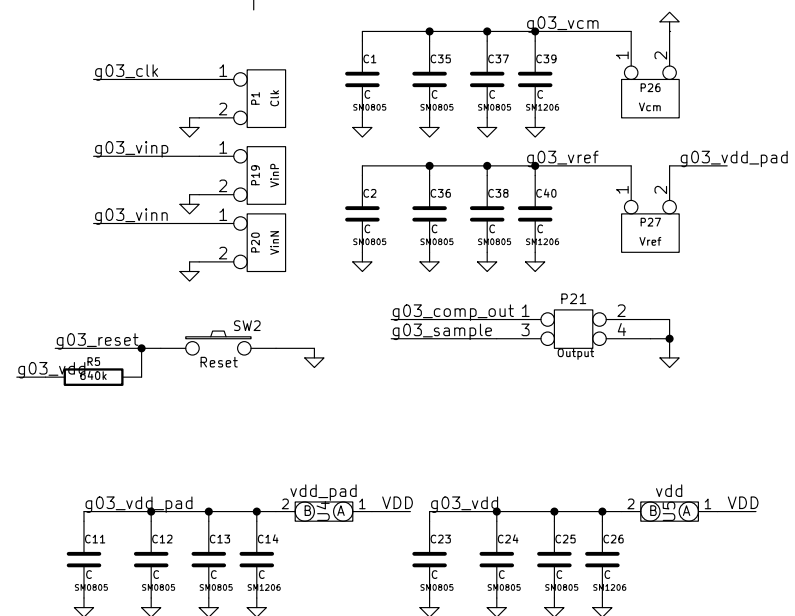


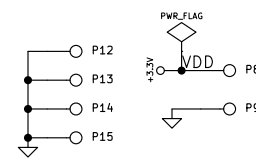
## Group 2 - DAC



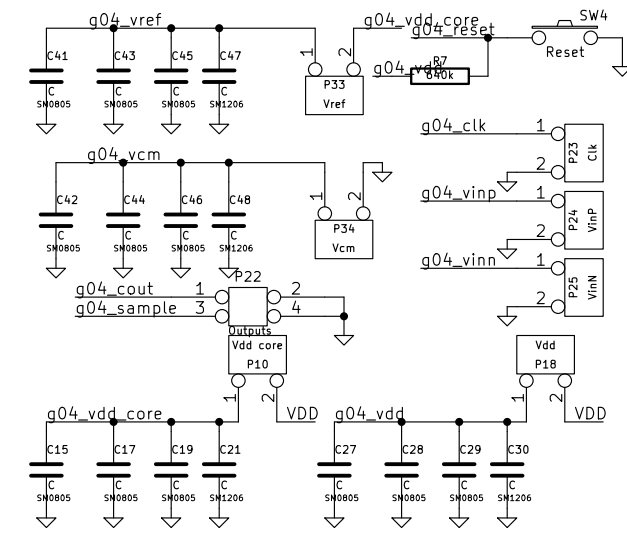
## Group 3 - SAR



TSEK11_2017_CHIP1			
g02_in<0>	5	g02_in<0>	g02_in<0>
g02_in<1>	4	g02_in<1>	g02_in<1>
g02_in<2>	3	g02_in<2>	g02_in<2>
g02_in<3>	2	g02_in<3>	g02_in<3>
g02_in<4>	1	g02_in<4>	g02_in<4>
g02_in<5>	52	g02_in<5>	g02_in<5>
g02_Clk	9	g02_clk	g02_clk
g02_iref	14	g02_iref	g02_iref
g02_reset	13	g02_reset	g02_reset
g02_OutN	11	g02_out_neg_ext	g02_out_neg_ext
g02_OutP	12	g02_out_pos_ext	g02_out_pos_ext
g02_vdd_digital	6	g02_vdd_digital_ext	g02_vdd_digital_ext
g02_vdd_analog	6	g02_vdd_analog_ext	g02_vdd_analog_ext
g02_vss	6	g02_vss	g02_vss
g03_reset	40	g03_reset	g03_reset
g03_clk	41	g03_clk	g03_clk
g03_sample	42	g03_sample	g03_sample
g03_comp_out43	43	g03_comp_out	g03_comp_out
g03_vref	49	g03_vref	g03_vref
g03_vinp	51	g03_vinp	g03_vinp
g03_vinn	48	g03_vinn	g03_vinn
g03_vcm	50	g03_vcm	g03_vcm
g03_vdd	44	g03_vdd	g03_vdd
g03_vdd_pad	47	g03_vdd_pad	g03_vdd_pad
g03_vss	45	g03_vss	g03_vss
g04_clk_ext	17	g04_clk	g04_clk
g04_reset_ext	23	g04_reset	g04_reset
g04_vref_ext	22	g04_vref	g04_vref
g04_vinp_ext	24	g04_vinp	g04_vinp
g04_vinn_ext	26	g04_vinn	g04_vinn
g04_vcm_ext	25	g04_vcm	g04_vcm
g04_cout_ext	15	g04_cout	g04_cout
g04_sample	16	g04_sample	g04_sample
g04_vdd_core_ext	18	g04_vdd_core	g04_vdd_core
g04_vdd	19	g04_vdd	g04_vdd
g04_vss	21	g04_vss	g04_vss
g06_clk_in	39	g06_clk_in	g06_clk_in
g06_audio_in	27	g06_audio_in	g06_audio_in
g06_ibias_in	29	g06_ibias_in	g06_ibias_in
g06_vg_in	30	g06_vg_in	g06_vg_in
g06_div_out	35	g06_div_out	g06_div_out
g06_audio_amp_out	31	g06_audio_amp_out	g06_audio_amp_out
g06_antenna	31	g06_antenna	g06_antenna
g06_lp_con	36	g06_lp_con	g06_lp_con
g06_up_out	37	g06_up_out	g06_up_out
g06_down_out	38	g06_down_out	g06_down_out
g06_vdd	34	g06_vdd	g06_vdd
g06_vss	32	g06_vss	g06_vss



## Group 4 - SAR



## Group 6 - PLL

