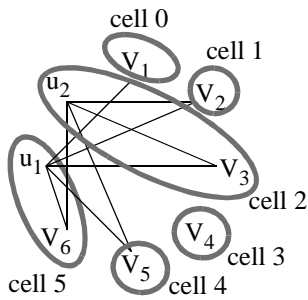
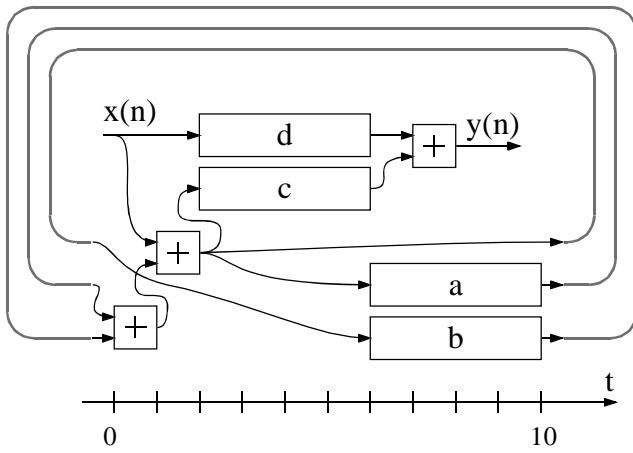


Exam solutions ASIC (TSTE81) 000504

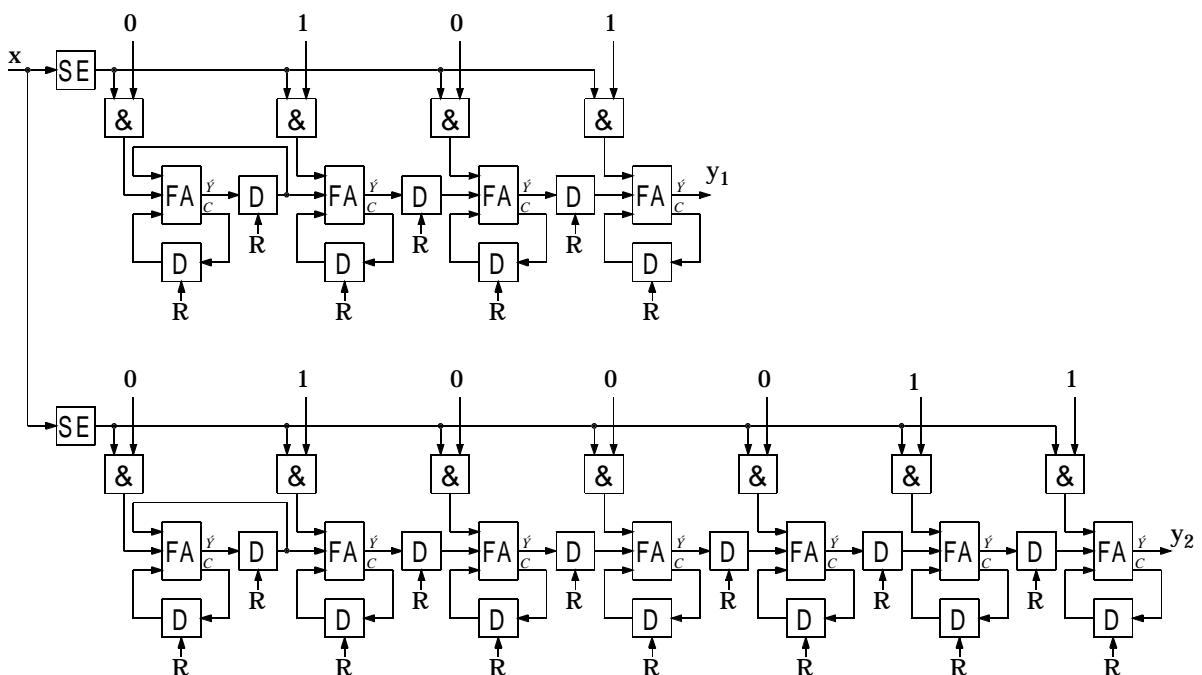


3. a)

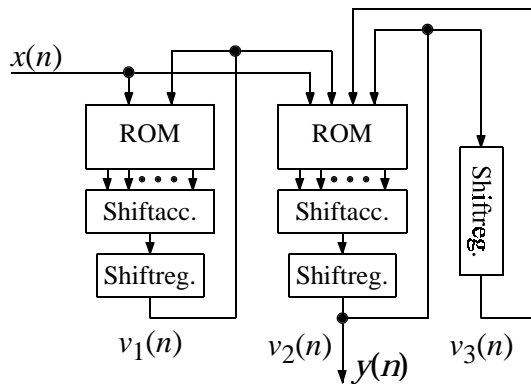
b) Sort cells by starting time and size: $u_2, V_4, u_1, V_6, V_3, V_5, V_1, V_2$. Allocate a cell and assign variables from the list. Remove assigned variables from the list. Allocate new cell when no variables fits.

Cell	Variables
0	u_2, V_6
1	V_4
2	u_1, V_3
3	V_5
4	V_1
5	V_2

4. a) $5_{10} = 0101_{2C}, 35_{10} = 0100011_{2C}$



Exam solutions ASIC (TSTE81) 000504



- b) Problem with the calculation of $y(n)$. Split this into two subcalculations by pipelining between the two additions. Call the added delay element $v_4(n)$

