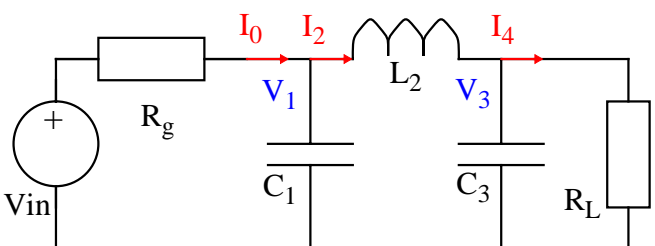
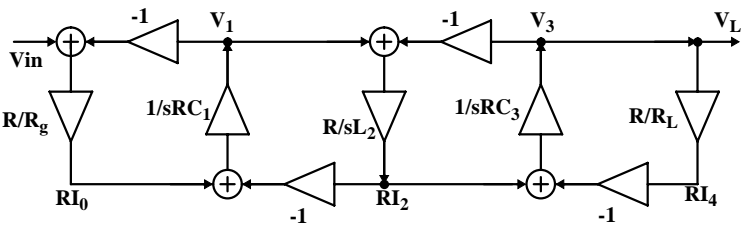


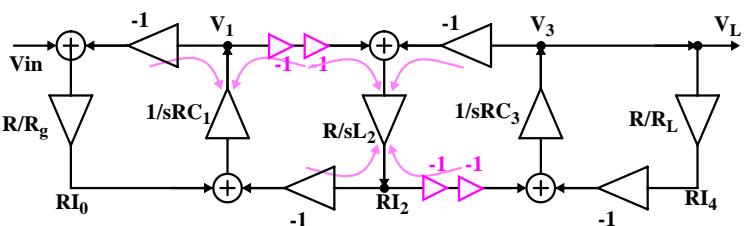
Ladder reference filter

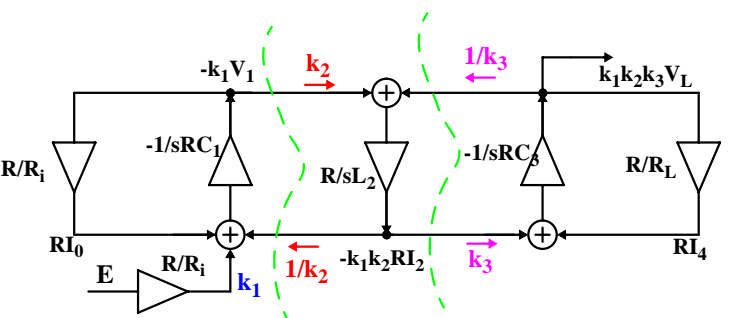
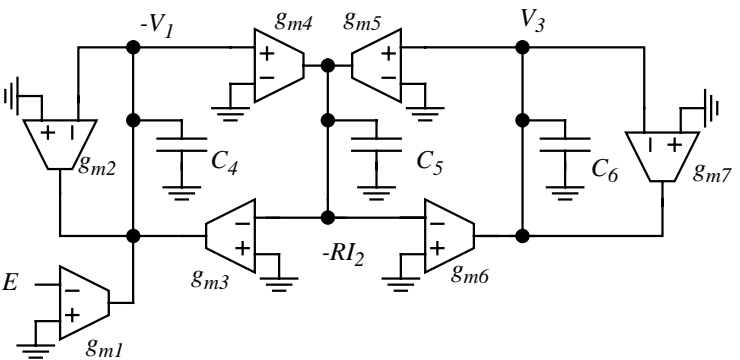
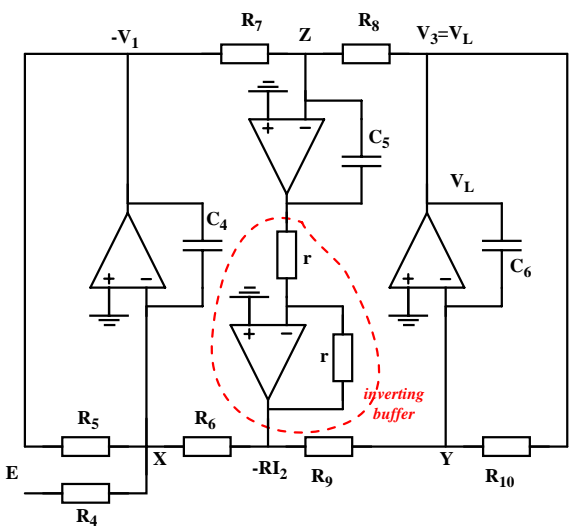
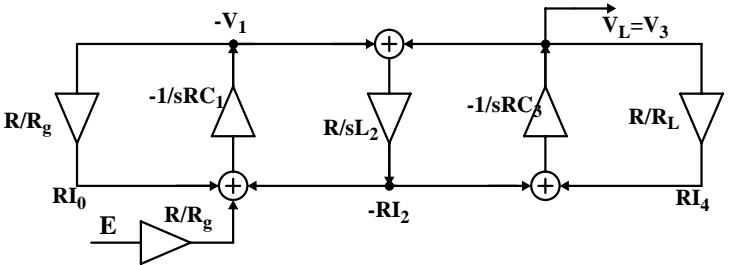


Signal Flow Graph

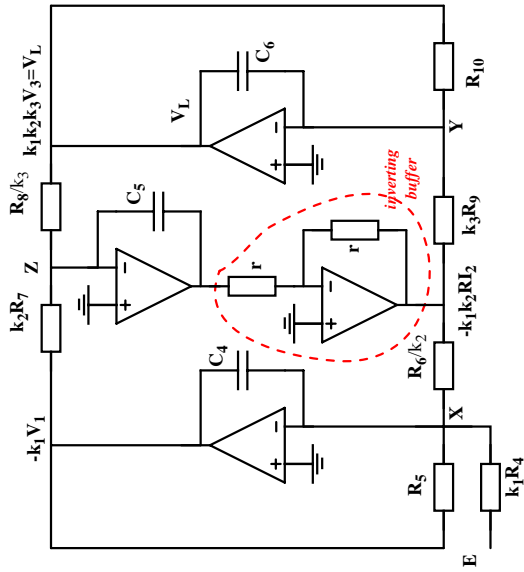


Signal flow graph

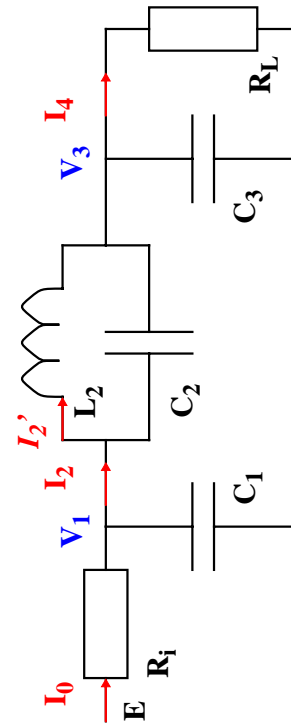




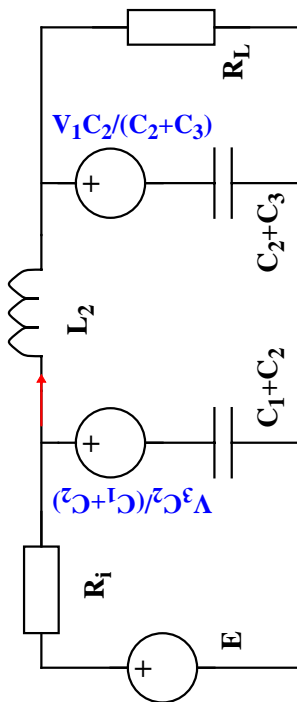
Scaling of OP realization



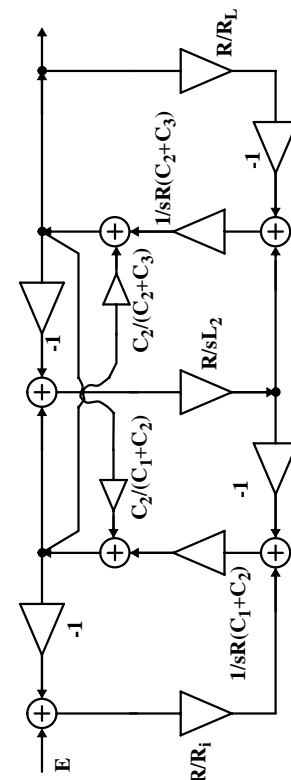
Cauer (elliptic) filters



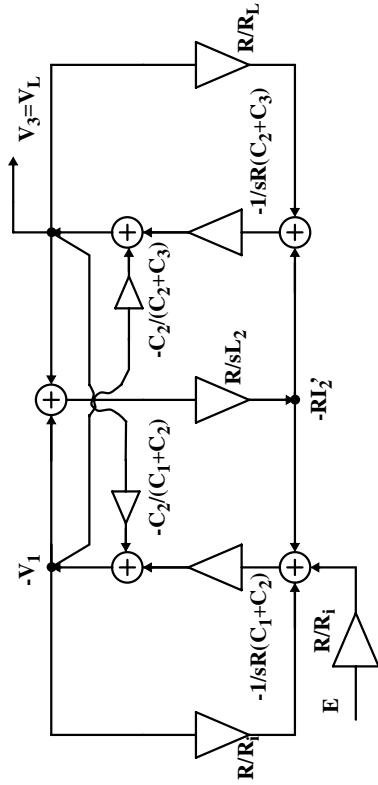
Modified ladder network



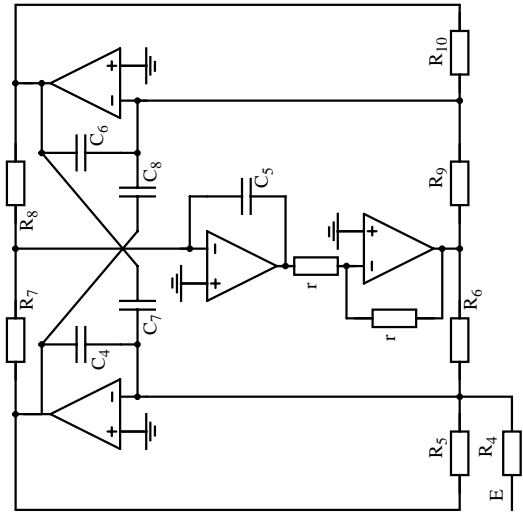
Cauer signal flow graph



Modified Cauer signal flow graph



OP-RC realization of Cauer filter



Gm-C realization of Cauer filter

