

# VLSI Chip Design Project TSEK06

## Project Description and Requirement Specification

Version 1.0

**Project: High-Speed 6-bit  
Digital-to-Analog Converter**

**Project number: 2**

### Project Group:

	Project leader and designer 1(5)		
	Designer 2(5)		
	Designer 3(5)		
	Designer 4(5)		
	Designer 5(5)		

**Customer and supervisor:** Duong Quoc Tai  
Office: B building 2D:547, Phone: 013-282771, Fax: 013-139282  
Email: tai@isy.liu.se

## 1 Background

This document describes the design requirement specification of a 6-bit thermometer coded current steered digital-to-analog converter (DAC). The DAC is intended to operate at a frequency 700-1000 MHz and is to be implemented in a 0.35  $\mu\text{m}$  CMOS process. The 6-bit DAC should be implemented using a 4x4-switched current source matrix and 2 additional switched current sources, to realize a 6-bit conversion.

### 1.1 Project Goal

The project goal is to design an integrated circuit (IC) in complementary metal-oxide semiconductor (CMOS) technology. Students, participating in this project as project members and project leaders, should learn the different steps of the IC design flow. That includes the given system architecture analysis, simulation, layout implementation and verification. The project students have an optional choice to manufacture the designed IC circuit on a chip. To test the manufactured chips, another course (TSEK11) is available after the project.

### 1.2 Milestones and Deadline

1: Project selection	Week 4
2: Pre-study, project planning, and discussion with supervisor	Week 5
3: High-level modeling design and simulation result (report)	February 17
4: Gate/transistor level design and simulations result (report)	March 14
5: Layout, DRC, parasitic extraction, LVS, post-layout simulations, modification and chip evaluations.	May 12
6: <b>DEADLINE</b> , Delivery of the completed chip.	<b>May 19</b>
7: <b>DEADLINE</b> , Final report, and oral presentation	<b>May 23</b>

### 1.3 Parties

The following parties are involved in this project:

- 1- Customer: Duong Quoc Tai
- 2- Project supervisor: Duong Quoc Tai

Tasks:

- Formulates the project requirements
  - Provides technical support
  - Reviews the project documents.
- 3- Project leader: One of the members in the design team.

Tasks:

- Responsible for organization of the team and the project planning.
- Divides the design and documentation work in an efficient way
- Organizes the team meetings as well as the meetings between the team and supervisor

- Keeps the supervisor informed about the progress of the project (**at least one email or meeting per week**)
- 4- Project design members (including the project leader)
  - Are equally responsible for project planning and design.
  - Participate actively in all the meetings
  - Support the team and the project leader
  - Keep the team and project leader informed about the progress of their tasks.

## 2 Project Description

### 2.1 System Description

A 6-bit DAC implemented with a switched current matrix is shown in figure 1. It consists of the current matrix controlled by the four most significant digital bits, and of a conventional 2-bit current source DAC. The conventional 2-bit DAC consists of two current sources, each with current  $I_0$  and  $2xI_0$ , controlled by  $D_0$  and  $D_1$ , respectively. The two LSB's directly controls two current sources, leading to that a current between 0 and  $3xI_0$  floats to the analog output.

Making a 6-bit DAC using this conventional approach would lead to that the MSB current source would have to be very large to be able to handle a current of  $32xI_0$ . The current matrix approach instead makes it possible to use uniform size current sources, and then control how many current sources that should be active using  $D_5$ - $D_2$ . The current that each current source in the matrix needs to handle is  $4xI_0$ . The 4 MSB then control the current source matrix, and by coding the four input bits to a thermometer code, that can control the matrix, a current between 0 and  $60xI_0$  floats out to analog output, thus a total current region is 0 to  $63xI_0$ .

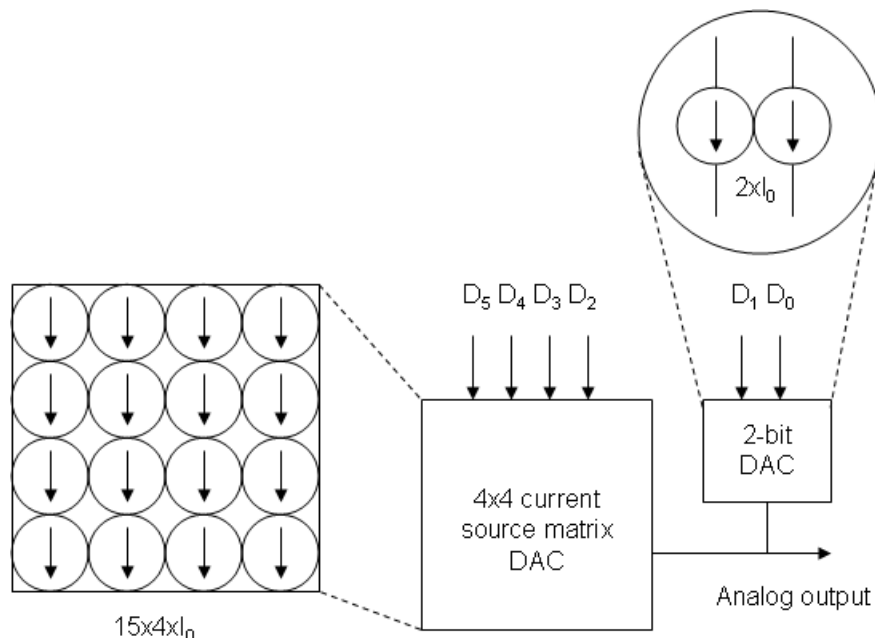


Figure 1. 6-bit DAC divided in 4x4 matrix DAC and a 2-bit DAC

The DAC should also include a calibration function on the current sources in the matrix, which uses an external calibration current to set the bias of the unit current sources. The calibration should be made on-the-fly, which means that the matrix needs one additional

current source. In Figure 2 a block representation of the current source matrix including calibration is shown. The thermometer coder translates the four input bits to a 15-bit thermometer code. The control block then synchronizes the calibration, and determines which of the current sources that can be used, and which one is currently being calibrated. The calibration block then calibrates each current source, synchronously.

## 2.2 Important design metrics

The complete DAC should be optimized for high-speed, which sets high timing requirements for the digital parts of the design. The DAC should have good linearity, which further increases the demands on both the digital and analog parts.

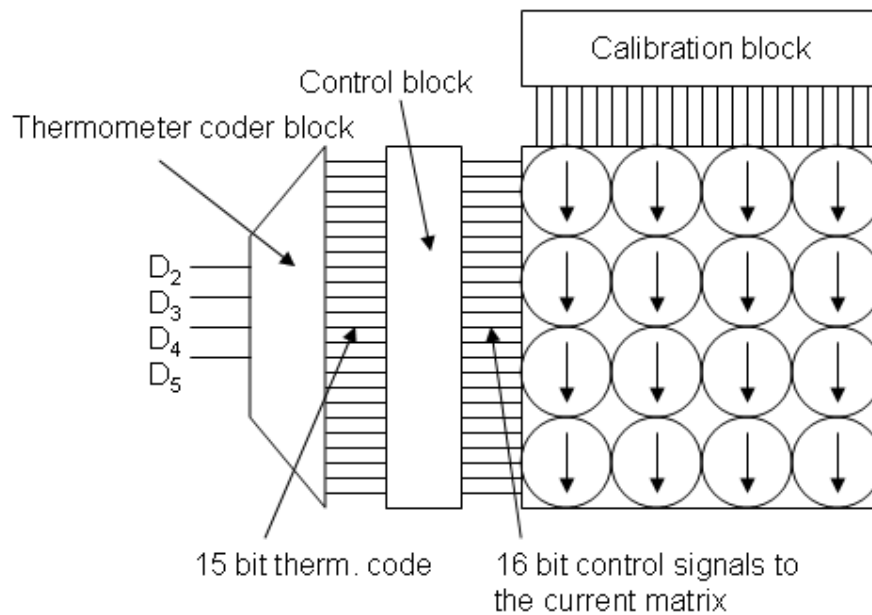


Figure 2. Block description of the current matrix, including control and calibration blocks

### 3 Area and Performance Requirements

The table below summarizes the circuit performance requirements. Each requirement has its number, formulated text, and the given degree of priority. Three degrees of priority are used: high, medium, and low. High is a firm requirement with no possibility of relaxation, while medium requirements can be relaxed somewhat after good motivation.

Requirement	Requirement Text	Priority
1	Operation frequency 700 – 1000 MHz	Priority
2	Calibration of current source matrix	High
3	Integrate as many system components as possible on-chip	Medium
4	Design schematic and layout must be verified by simulation	Medium
5	Simulated chip power consumption < 400 mW at max. frequency	High
6	Chip core area < 0.27 mm <sup>2</sup> (based on 4 projects per chip)	High
7	Total project pin count ≤ 13 (prepare to share inputs)	High
8	Design technology is AMS 4-metal 0.35 um CMOS	High
9	The most important system nodes should have off-chip access pins	Medium
10	On-chip current densities < 1mA/um	High
11	All requirements fulfilled in “ <i>typical</i> ”, “ <i>slow</i> ”, and “ <i>fast</i> ” process corners and for temperatures between 25°C and 110°C	High

## High-Speed 6-bit Digital-to-Analog Converter

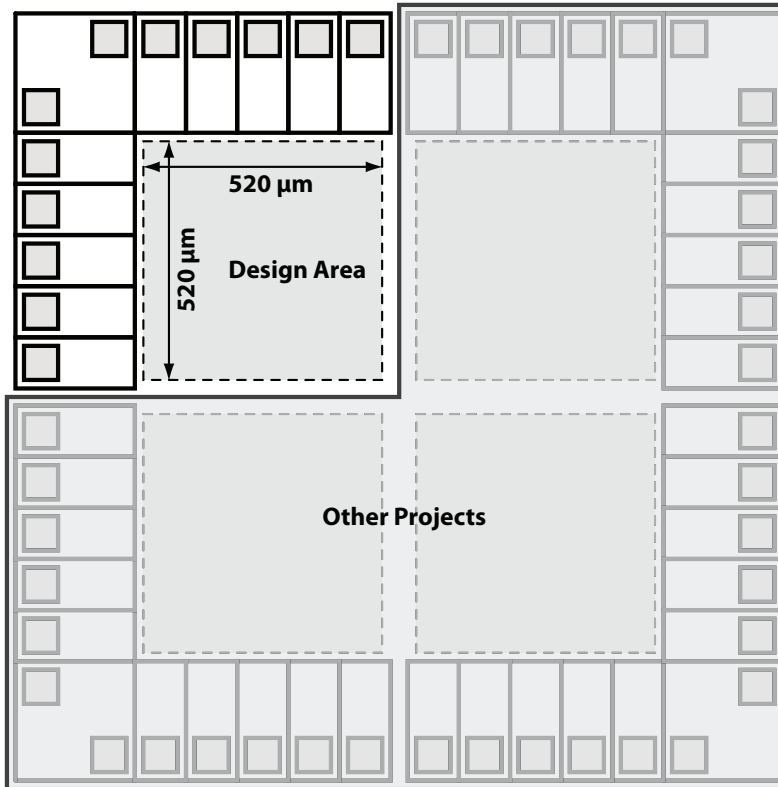


Figure 3: Schematic picture of a  $3\text{mm}^2$  chip with 40 generic pads four  $V_{DD}$  and four  $V_{SS}$  pads (total 48 pads), which will be shared between a number of projects.

### 3.1 Available Resources

- Scientific publication database (available from LiU):
- IEL – IEEE/IEE Electronic Library, <http://www.bibl.liu.se/english/databas/>

### 3.2 Tools

- Circuit simulation and layout tools from Cadence<sup>®</sup>, <http://www.cadence.com/>

## 4 References

- J.M. Rabaey, A. Chandrakasan, and B. Nikolic., “Digital Integrated Circuits”, 2nd ed., Prentice Hall, 2003, ISBN 0-13-120764-4.
- N. Waste and K. Eshraghian, “Principles of CMOS VLSI Design”, Addison-Wesley, 1993.
- S.-M. Kang and Y. Leblebici, “CMOS Digital Integrated Circuits: Analysis and Design”, McGraw-Hill, 1999.
- B. Parhami, “Computer Arithmetic”, Oxford University Press, 2000.

For more literature references consult with your supervisor.