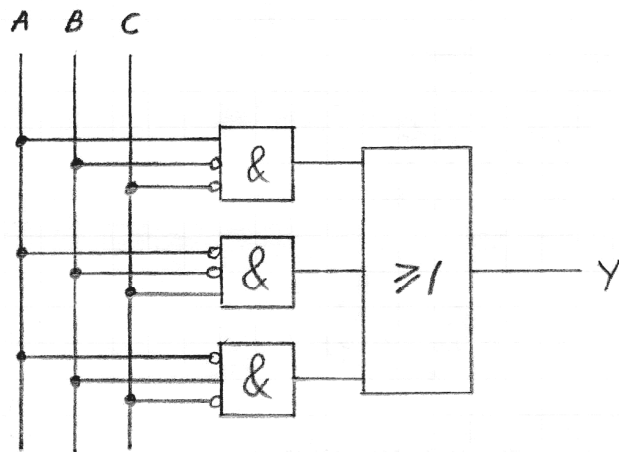


2-4 a/

A	B	C	Y
0	0	0	0
0	0	1	1
0	1	0	1
0	1	1	0
1	0	0	1
1	0	1	0
1	1	0	0
1	1	1	0

		BC			
		00	01	11	10
A	0	0	1	0	1
	1	1	0	0	0

$$Y = A\bar{B}\bar{C} + \bar{A}\bar{B}C + \bar{A}B\bar{C}$$



b/

$$Y = \overline{\overline{A\bar{B}\bar{C} + \bar{A}\bar{B}C + \bar{A}B\bar{C}}} = \overline{\overline{A\bar{B}\bar{C}} \cdot \overline{\bar{A}\bar{B}C} \cdot \overline{\bar{A}B\bar{C}}}$$

